

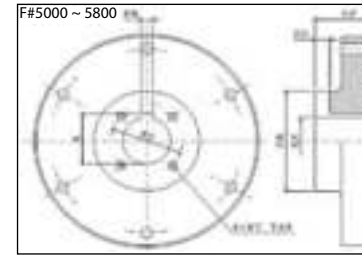
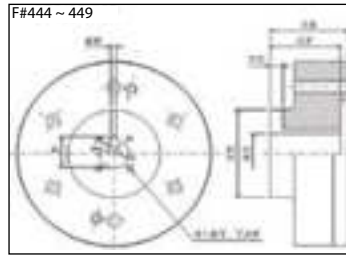
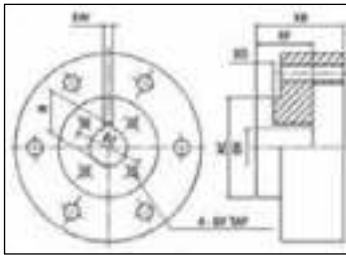
COUPLING KITS WPI

FOR VERTICAL HOLLOW SHAFT MOTORS

Effective 07-08-18
Supersedes 03-24-17

Notes:

1. Tolerance on BX dimensions up to and including 1.500 inches in diameter:
+0.001 inches, -0.000 inches; Larger than 1.500 inches diameter: +0.0015 in., -0.0000 in.
2. Dimension EW tolerance: +0.002 inches, -0.000 inches.
3. Dimension R tolerance: +0.010 inches, -0.000 inches.
4. **"*"** in the table denotes the standard coupling size for each frame.
5. One coupling is included with motor price. If purchased separately use list pricing.
6. Please consult Application Specialist for listings not shown.
7. Notice coupling part numbers have changed from 2015/2016 Pricebook; New design.



FRAME	BX	BY	BZ	EW	R	XB	XD	XE	XF	PART NO.	LIST PRICE (\$)
210TP	0.751	NO. 10-32 UNF	1.375	0.188	0.845	1.750	0.406	2.000	1.125	31010D6871903	460
	0.876	NO. 10-32 UNF	1.375	0.188	0.970	1.750	0.406	2.000	1.125	31010D6872004	
	0.938	NO. 10-32 UNF	1.375	0.250	1.078	1.750	0.406	2.000	1.125	31010D6872101	
	*1.001	NO. 10-32 UNF	1.375	0.250	1.126	1.750	0.406	2.000	1.125	31010D6872209	
250TP/ 280TP	0.751	NO. 10-32 UNF	1.375	0.188	0.845	2.170	0.410	2.250	1.230	31010D6872306	613
	0.876	NO. 10-32 UNF	1.375	0.188	0.970	2.170	0.410	2.250	1.230	31010D6872403	
	*1.001	NO. 10-32 UNF	1.375	0.250	1.126	2.170	0.410	2.250	1.230	31010D6872501	
	1.188	1/4"-20 UNC	1.750	0.250	1.313	2.170	0.410	2.250	1.230	31010D6872608	
320TP/ 360TP	1.251	1/4"-20 UNC	1.750	0.250	1.376	2.170	0.410	2.250	1.230	31010D6872705	920
	1.001	NO. 10-32 UNF	1.375	0.250	1.126	2.540	0.410	2.875	1.540	31010D6872802	
	*1.188	1/4"-20 UNC	1.750	0.250	1.313	2.540	0.410	2.875	1.540	31010D6872900	
	1.251	1/4"-20 UNC	1.750	0.250	1.376	2.540	0.410	2.875	1.540	31010D6873001	
400TP	1.438	1/4"-20 UNC	2.125	0.375	1.625	2.540	0.470	2.875	1.540	31010D6873108	1,278
	1.501	1/4"-20 UNC	2.125	0.375	1.688	2.540	0.470	2.875	1.540	31010D6873205	
	1.188	1/4"-20 UNC	1.750	0.250	1.313	2.760	0.530	3.150	1.500	31010D6873302	
	1.251	1/4"-20 UNC	1.750	0.250	1.376	2.760	0.530	3.150	1.500	31010D6873400	
444TP/ 445TP	1.438	1/4"-20 UNC	2.125	0.375	1.625	2.760	0.530	3.150	1.500	31010D6873507	1,278
	*1.501	1/4"-20 UNC	2.125	0.375	1.688	2.760	0.530	3.150	1.500	31010D6873604	
	1.688	1/4"-20 UNC	2.500	0.375	1.891	2.760	0.530	3.150	1.500	31010D6873701	
	1.751	1/4"-20 UNC	2.500	0.375	1.954	2.760	0.530	3.150	1.500	31010D6873809	
444TP/ 445TP	1.188	1/4"-20 UNC	1.750	0.250	1.304	3.169	0.409	3.740	2.875	3A010C2390104	2,150
	1.251	1/4"-20 UNC	1.750	0.250	1.367	3.169	0.409	3.740	2.875	3A010C2390201	
	1.438	1/4"-20 UNC	2.125	0.375	1.605	3.169	0.531	3.740	2.875	3A010C2390309	
	*1.501	1/4"-20 UNC	2.125	0.375	1.669	3.169	0.531	3.740	2.875	3A010C2390406	
445TP	1.688	1/4"-20 UNC	2.500	0.375	1.859	3.169	0.531	3.740	2.875	3A010C2390503	2,150
	1.751	1/4"-20 UNC	2.500	0.375	1.922	3.169	0.531	3.740	2.875	3A010C2390601	
	1.938	1/4"-20 UNC	2.500	0.500	2.160	3.169	0.689	3.740	2.875	3A010C2390708	
	1.438	1/4"-20 UNC	2.125	0.375	1.605	3.559	0.531	4.725	3.071	3A010C2390805	
445TP	*1.501^(A)	1/4"-20 UNC	2.125	0.375	1.669	3.559	0.531	4.725	3.071	3A010C2390902	2,350
	*1.688^(B)	1/4"-20 UNC	2.500	0.375	1.859	3.559	0.531	4.725	3.071	3A010C2391003	
	1.751	1/4"-20 UNC	2.500	0.375	1.922	3.559	0.531	4.725	3.071	3A010C2391101	
	*1.938^(C)	1/4"-20 UNC	2.500	0.500	2.160	3.559	0.689	4.725	3.071	3A010C2391208	
445TP ^(A) / 447TP ^(B) / 449TP ^(C)	2.001	3/8"-16 UNC	3.250	0.500	2.223	3.559	0.689	4.725	3.071	3A010C2391305	2,350
	2.063	3/8"-16 UNC	3.250	0.500	2.287	3.559	0.689	4.725	3.071	3A010C2391402	
	2.126	3/8"-16 UNC	3.250	0.500	2.350	3.559	0.689	4.725	3.071	3A010C2391500	
	2.188	3/8"-16 UNC	3.250	0.500	2.414	3.559	0.689	4.725	3.071	3A010C2391607	
445TP	2.251	3/8"-16 UNC	3.250	0.500	2.477	3.559	0.689	4.725	3.071	3A010C2391704	2,350
	2.376	3/8"-16 UNC	3.250	0.625	2.651	3.559	0.815	4.725	3.071	3A010C2391801	
	2.438	3/8"-16 UNC	3.250	0.625	2.714	3.559	0.815	4.725	3.071	3A010C2391909	
	2.501	3/8"-16 UNC	3.250	0.625	2.778	3.559	0.815	4.725	3.071	3A010C2392000	
5000 ^(A) / 5800 ^(B)	1.688	1/4"-20 UNC	2.500	0.375	1.859	-	0.531	4.725	3.071	3A711C1371209X001	2,650
	1.938	1/4"-20 UNC	2.500	0.500	2.160	-	0.689	4.725	3.071	3A711C1371306X001	
	2.126	3/8"-16 UNC	3.250	0.500	2.350	-	0.689	4.725	3.071	3A711C1371403X001	
	*2.188^(A)	3/8"-16 UNC	3.250	0.500	2.414	-	0.689	4.725	3.071	3A711C1371501X001	
5000	2.251	3/8"-16 UNC	3.250	0.500	2.477	-	0.689	4.725	3.071	3A711C1370407X001	2,650
	2.376	3/8"-16 UNC	3.250	0.625	2.651	-	0.815	4.725	3.071	3A711C1370300X001	
	*2.438^(B)	3/8"-16 UNC	3.250	0.625	2.714	-	0.815	4.725	3.071	3A711C1370202X001	
	2.501	3/8"-16 UNC	3.250	0.625	2.778	-	0.815	4.725	3.071	3A711C1370105X001	
5000	BLANK1	3/8"-16 UNC	3.250	-	-	-	-	4.725	3.071	3A711C1370504X001	2,650
	BLANK2	-	-	-	-	-	-	4.725	3.071	3A711C1370601X001	

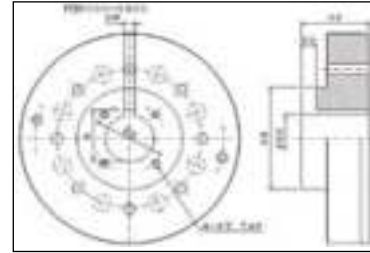
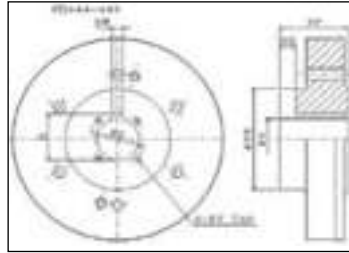
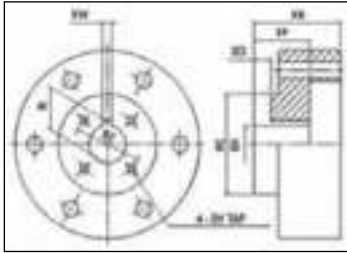
COUPLING KITS TEFC

FOR VERTICAL HOLLOW SHAFT MOTORS

Effective 07-08-18
Supersedes 03-24-17

Notes:

1. Tolerance on BX dimensions up to and including 1.500 inches diameter:
+0.001 inches, -0.000 inches; Larger than 1.500 inches diameter: +0.0015 in., -0.0000 in.
2. Dimension EW tolerance: +0.002 inches, -0.000 inches.
3. Dimension R tolerance: +0.010 inches, -0.000 inches.
4. "*" in the table denotes the standard coupling size for each frame.
5. One coupling is included with motor price. If purchased separately use list pricing.
6. Please consult Application Specialist for listings not shown.
7. Notice coupling part numbers have changed from 2015/2016 Pricebook; New design.

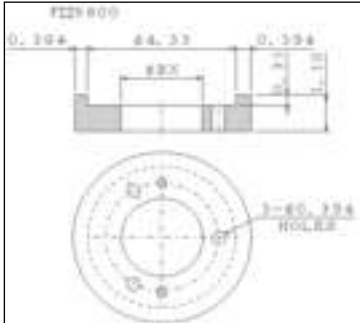
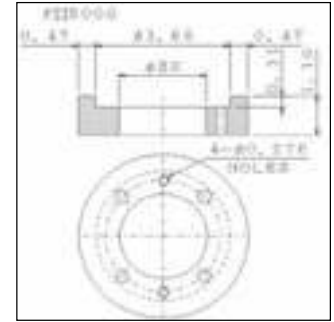
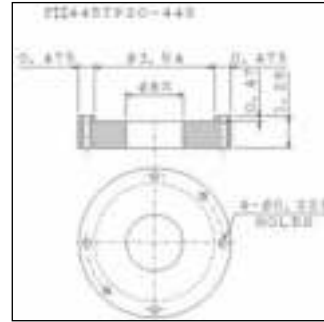
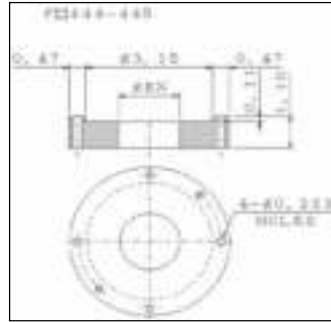
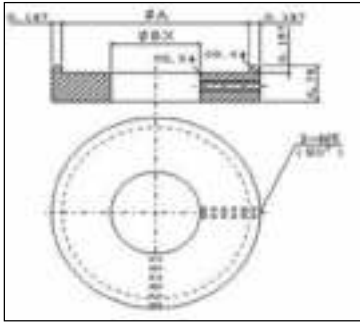


FRAME	BX	BY	BZ	EW	R	XB	XD	XE	XF	PART NO.	LIST PRICE (\$)
210TP	0.751	NO. 10-32 UNF	1.375	0.188	0.845	1.750	0.343	2.000	1.125	31010D6870206	460
	0.876	NO. 10-32 UNF	1.375	0.188	0.970	1.750	0.343	2.000	1.125	31010D6870303	
	*1.001	NO. 10-32 UNF	1.375	0.250	1.126	1.750	0.406	2.000	1.125	31010D6870401	
250TP	0.751	NO. 10-32 UNF	1.375	0.188	0.845	2.560	0.343	2.250	1.625	31010D6870508	613
	0.876	NO. 10-32 UNF	1.375	0.188	0.970	2.560	0.343	2.250	1.652	31010D6870605	
	*1.001	NO. 10-32 UNF	1.375	0.250	1.126	2.560	0.406	2.250	1.625	31010D6870702	
280TP	1.188	1/4"-20 UNC	1.750	0.250	1.313	2.560	0.406	2.250	1.652	31010D6870800	613
	0.876	NO. 10-32 UNF	1.375	0.188	0.970	2.560	0.343	2.250	1.652	31010D6870605	
	*1.001	NO. 10-32 UNF	1.375	0.250	1.126	2.560	0.406	2.250	1.625	31010D6870702	
320TP	1.188	1/4"-20 UNC	1.750	0.250	1.313	2.560	0.406	2.250	1.652	31010D6870800	920
	1.251	1/4"-20 UNC	1.750	0.250	1.376	2.560	0.406	2.250	1.652	31010D6870907	
	1.438	1/4"-20 UNC	2.125	0.375	1.625	3.331	0.531	2.875	2.331	31010D6871008	
360TP	*1.188	1/4"-20 UNC	1.750	0.250	1.313	3.331	0.406	2.875	2.331	31010D6871105	920
	1.251	1/4"-20 UNC	1.750	0.250	1.376	3.331	0.406	2.875	2.331	31010D6871202	
	1.438	1/4"-20 UNC	2.125	0.375	1.625	3.331	0.531	2.875	2.331	31010D6871300	
400TP	1.501	1/4"-20 UNC	2.125	0.375	1.688	3.331	0.531	2.875	2.331	31010D6871407	~
	1.251	1/4"-20 UNC	1.750	0.250	1.376	3.331	0.406	2.875	2.331	31010D6871504	
	1.438	1/4"-20 UNC	2.125	0.375	1.625	3.331	0.531	2.875	2.331	31010D6871601	
444TP/ 445TP	1.501	1/4"-20 UNC	2.125	0.375	1.688	3.543	0.531	3.150	2.441	31010D6871709	~
	1.688	1/4"-20 UNC	2.500	0.375	1.891	-	0.531	3.150	2.441	Contact Factory	
	*1.501	1/4"-20 UNC	2.125	0.375	1.688	3.543	0.531	3.150	2.441	Contact Factory	
447TP(A)/ 449TP(B)	1.251	1/4"-20 UNC	1.750	0.250	1.304	-	0.409	3.740	2.874	31010D6871806	2,150
	1.438	1/4"-20 UNC	2.125	0.375	1.605	-	0.531	3.740	2.874	31010D6871903	
	*1.501	1/4"-20 UNC	2.125	0.375	1.669	-	0.531	3.740	2.874	31010D6872000	
5000(A)/ 5800-4P(B)	1.688	1/4"-20 UNC	2.500	0.375	1.859	-	0.689	4.725	3.071	31010D6872107	2,350
	1.251	1/4"-20 UNC	1.750	0.250	1.367	-	0.409	3.740	2.874	31010D6872204	
	1.438	1/4"-20 UNC	2.125	0.375	1.605	-	0.531	3.740	2.874	31010D6872301	
	*1.501	1/4"-20 UNC	2.125	0.375	1.669	-	0.531	3.740	2.874	31010D6872408	
	1.688	1/4"-20 UNC	2.500	0.375	1.859	-	0.531	3.740	2.874	31010D6872505	
	1.751	1/4"-20 UNC	2.500	0.375	1.922	-	0.531	3.740	2.874	31010D6872602	
	1.938	1/4"-20 UNC	2.500	0.500	2.160	-	0.689	3.740	2.874	31010D6872709	
	1.438	1/4"-20 UNC	2.125	0.375	1.605	-	0.531	4.725	3.071	31010D6872806	
	1.501	1/4"-20 UNC	2.125	0.375	1.669	-	0.531	4.725	3.071	31010D6872903	
	*1.688(A)	1/4"-20 UNC	2.500	0.375	1.859	-	0.531	4.725	3.071	31010D6873000	
	1.751	1/4"-20 UNC	2.500	0.375	1.922	-	0.531	4.725	3.071	31010D6873107	
	*1.938(B)	1/4"-20 UNC	2.500	0.500	2.160	-	0.689	4.725	3.071	31010D6873204	
2.001	3/8"-16 UNC	3.250	0.500	2.223	-	0.689	4.725	3.071	31010D6873301		
2.063	3/8"-16 UNC	3.250	0.500	2.287	-	0.689	4.725	3.071	31010D6873408		
2.126	3/8"-16 UNC	3.250	0.500	2.350	-	0.689	4.725	3.071	31010D6873505		
2.188	3/8"-16 UNC	3.250	0.500	2.414	-	0.689	4.725	3.071	31010D6873602		
2.251	3/8"-16 UNC	3.250	0.500	2.477	-	0.689	4.725	3.071	31010D6873709		
2.376	3/8"-16 UNC	3.250	0.625	2.651	-	0.815	4.725	3.071	31010D6873806		
2.438	3/8"-16 UNC	3.250	0.625	2.714	-	0.815	4.725	3.071	31010D6873903		
2.501	3/8"-16 UNC	3.250	0.625	2.778	-	0.815	4.725	3.071	31010D6874000		
5800-6P & ABOVE	1.501	1/4"-20 UNC	2.125	0.375	1.669	-	0.531	4.725	3.071	31010D6874107	2,650
	1.688	1/4"-20 UNC	2.500	0.375	1.859	-	0.531	4.725	3.071	31010D6874204	
	1.938	1/4"-20 UNC	2.500	0.500	2.160	-	0.689	4.725	3.071	31010D6874301	
	2.126	3/8"-16 UNC	3.250	0.500	2.350	-	0.689	4.725	3.071	31010D6874408	
	2.188	3/8"-16 UNC	3.250	0.500	2.414	-	0.689	4.725	3.071	31010D6874505	
	2.251	3/8"-16 UNC	3.250	0.500	2.477	-	0.689	4.725	3.071	31010D6874602	
2.376	3/8"-16 UNC	3.250	0.625	2.651	-	0.815	4.725	3.071	31010D6874709		
*2.438(B)	3/8"-16 UNC	3.250	0.625	2.714	-	0.815	4.725	3.071	31010D6874806		

STEADY BUSHING KITS WPI

FOR VERTICAL HOLLOW SHAFT MOTORS

Effective 07-08-18
Supersedes 03-24-17



Notes:

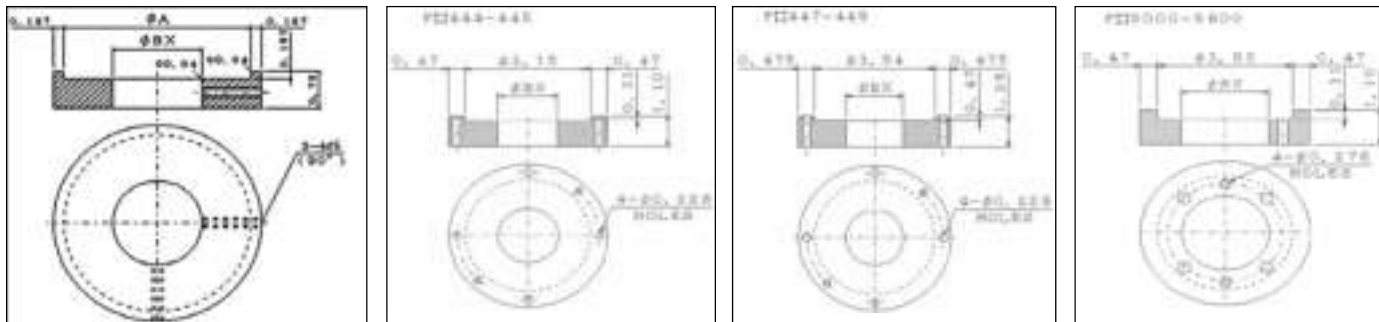
1. See corresponding diagram for part detail.
2. Please consult Application Specialist for listings not shown.
3. Steady Bushing material is Bronze.
4. Kit includes hardware.
5. Notice steady bushing part numbers have changed from 2015/2016 Pricebook; New design.
6. Steady bushing kits are the same for WPI and TEFC for frames 449TP and smaller.
7. **"*"** in the table denotes the standard size for each frame.

FRAME	DIMENSION		PART NO.	LIST PRICE (\$)
	A	BX		
210TP	1.77	0.751	31010D4974705	100
		0.876	31010D4974802	
		0.938	31010D4974900	
		*1.001	31010D4975001	
250TP	1.77	0.751	31010D4974705	100
		0.876	31010D4974802	
		*1.001	31010D4975001	
		1.188	31010D4975108	
		1.251	31010D4975205	
280TP	2.17	0.751	31010D4975302	100
		0.876	31010D4975400	
		1.001	31010D4975507	
		*1.188	31010D4975604	
		1.251	31010D4975701	
320TP	2.83	1.001	31010D4975809	130
		*1.188	31010D4975906	
		1.251	31010D4976007	
		1.438	31010D4976104	
360TP	3.03	1.501	31010D4976201	130
		1.001	31010D4976309	
		*1.188	31010D4976406	
		1.251	31010D4976503	
400TP	3.54	1.438	31010D4976601	150
		1.501	31010D4976708	
		1.188	31010D4976805	
		1.251	31010D4976902	
445TP	3.15	1.438	3A702D1611403X001	175
		1.251	3A702D1611501X001	
		1.438	3A702D1611608X001	
		*1.501	3A702D1611705X001	
		1.688	3A702D1611802X001	
445TP20 ^(A) / 447TP ^(B) / 449TP ^(C)	3.54	1.751	3A702D1611900X001	210
		1.938	3A702D1612001X001	
		1.438	3A702D1610105X001	
		*1.501^(A)	3A702D1610202X001	
		*1.688^(A)	3A702D1610300X001	
		1.751	3A702D1610407X001	
5000	3.66	*1.938^(C)	3A702D1610504X001	210
		2.001	3A702D1610601X001	
		2.063	3A702D1610709X001	
		2.126	3A702D1610806X001	
		2.188	3A702D1610903X001	
		2.251	3A702D1611004X001	
		2.376	3A702D1611101X001	
		2.438	3A702D1611209X001	
		2.501	3A702D1611306X001	
		5800	4.33	
1.938	3A702D1720709X001			
2.126	3A702D1720806X001			
*2.188	3A702D1720202X001			
2.251	3A702D1720903X001			
2.376	3A702D1720300X001			
5800	4.33	2.438	3A702D1720407X001	210
		2.501	3A702D1720504X001	
		2.126	3A702D1740602X001	
		2.188	3A702D1740505X001	
		2.251	3A702D1740408X001	
		2.376	3A702D1740301X001	
5800	4.33	*2.438	3A702D1740203X001	210
		2.501	3A702D1740106X001	
		2.501	3A702D1740106X001	

STEADY BUSHING KITS TEFC

FOR VERTICAL HOLLOW SHAFT MOTORS

Effective 07-08-18
Supersedes 03-24-17



Notes:

1. See corresponding diagram for part detail.
2. Please consult Application Specialist for listings not shown.
3. Steady Bushing material is Bronze.
4. Kit includes hardware.
5. Steady bushing kits are the same for WPI and TEFC for frames 449TP and smaller.
6. "*" in the table denotes the standard size for each frame.

FRAME	DIMENSION		PART NO.	LIST PRICE (\$)
	A	BX		
210TP	1.77	0.751	31010D4974705	100
		0.876	31010D4974802	
		0.938	31010D4974900	
		*1.001	31010D4975001	
250TP	1.77	0.751	31010D4974705	100
		0.876	31010D4974802	
		*1.001	31010D4975001	
		1.188	31010D4975108	
		1.251	31010D4975205	
280TP	2.17	0.751	31010D4975302	100
		0.876	31010D4975400	
		1.001	31010D4975507	
		*1.188	31010D4975604	
		1.251	31010D4975701	
320TP	2.83	1.001	31010D4975809	130
		*1.188	31010D4975906	
		1.251	31010D4976007	
		1.438	31010D4976104	
360TP	3.03	1.501	31010D4976201	130
		1.001	31010D4976309	
		*1.188	31010D4976406	
		1.251	31010D4976503	
400TP	3.54	1.438	31010D4976601	150
		1.501	31010D4976708	
		1.188	31010D4976805	
		1.251	31010D4976902	
		1.438	31010D4977003	
440TP	3.54	*1.501	31010D4977101	150
		1.688	31010D4977208	
		1.751	31010D4977305	

FRAME	DIMENSION		CATALOG NO.	LIST PRICE (\$)
	A	BX		
444TP/ 445TP	3.15	1.188	3A702D1611403X001	175
		1.251	3A702D1611501X001	
		1.438	3A702D1611608X001	
		*1.501	3A702D1611705X001	
		1.688	3A702D1611802X001	
		1.751	3A702D1611900X001	
447TP ^(A) / 449TP ^(B)	3.54	1.938	3A702D1612001X001	210
		1.438	3A702D1610105X001	
		1.501	3A702D1610202X001	
		*1.688 ^(A)	3A702D1610300X001	
		1.751	3A702D1610407X001	
		*1.938 ^(B)	3A702D1610504X001	
		2.001	3A702D1610601X001	
		2.063	3A702D1610709X001	
		2.126	3A702D1610806X001	
		2.188	3A702D1610903X001	
		2.251	3A702D1611004X001	
2.376	3A702D1611101X001			
2.438	3A702D1611209X001			
2.501	3A702D1611306X001			
5000 ^(A) / 5800 ^(B)	3.66	1.688	3A702D1720601X001	210
		1.938	3A702D1720709X001	
		2.126	3A702D1720806X001	
		*2.188 ^(A)	3A702D1720202X001	
		2.251	3A702D1720903X001	
		2.376	3A702D1720300X001	
		*2.438 ^(B)	3A702D1720407X001	
		2.501	3A702D1720504X001	